

IMP MCQs Lecture 6

# Chp11 Seating Arrangements & Chp9 Number Series...

CA. Pranav Popat

# Schedule

<b>Date</b>	<b>Day</b>	<b>Chapter to be Covered</b>
05-Aug-25	Tue	Chp4 Math for Finance
07-Aug-25	Thu	Chp13 Statistical Description of Data
09-Aug-25	Sat	Chp14 Central Tendency & Dispersion
11-Aug-25	Mon	Chp17 Correlation and Regression
13-Aug-25	Wed	Chp12 Blood Relations and Chp10 Direction Test
15-Aug-25	Fri	Chp11 Seating Arrangements & Chp9 Number Series...
17-Aug-25	Sun	Chp1 Ratio Proportion Indices Logarithm
19-Aug-25	Tue	Chp18 Index Numbers and Chp6 Sequence and Series
21-Aug-25	Thu	Chp2 Equations & Chp3 Linear Inequalities
23-Aug-25	Sat	Chp5 Permutations & Combinations
25-Aug-25	Mon	Chp7 Set Relation Functions
27-Aug-25	Wed	Chp15 Probability and Chp16 Theoretical Distribution

# 24 Days Challenge

Telegram channel

@learnwithpranav

video links : SA chp 11 } post  
BY CA. PRANAV POPAT NS chp 9 } post

## 24 DAYS QA CHALLENGE

QA (Math, LR and Stats)

CA FOUNDATION SEP 2025

Day Number	Date	Day	Title	Video Link	PDF Link	Duration (Hours)
1	4-Aug-25	Mon	Revision of Chp4 Math for Finance (Self/ One Shot)	<a href="#">Play</a>	<a href="#">PDF</a>	3:02:00
2	5-Aug-25	Tue	IMP MCQs of Chp4 Math for Finance (Live on YT)	<a href="#">coming soon</a>	<a href="#">coming soon</a>	
3	6-Aug-25	Wed	Revision of Chp13 Statistical Description of Data (Self/ One Shot)	<a href="#">Play</a>	<a href="#">PDF</a>	3:06:00
4	7-Aug-25	Thu	IMP MCQS of Chp13 Statistical Description of Data (Live on YT)	<a href="#">coming soon</a>	<a href="#">coming soon</a>	
5	8-Aug-25	Fri	Revision of Chp14 Central Tendency & Dispersion (Self/ One Shot)	<a href="#">Play</a>	<a href="#">PDF</a>	3:02:00
6	9-Aug-25	Sat	IMP MCQs of Chp14 Central Tendency & Dispersion (Live on YT)	<a href="#">coming soon</a>	<a href="#">coming soon</a>	
7	10-Aug-25	Sun	Revision of Chp17 Correlation Regression (Self/ One Shot)	<a href="#">Play</a>	<a href="#">PDF</a>	2:43:58
8	11-Aug-25	Mon	IMP MCQs of Chp17 (Live on YT)	<a href="#">coming soon</a>	<a href="#">coming soon</a>	
9	12-Aug-25	Tue	Revision of Chp12 Blood Relations (Self/ One Shot)	<a href="#">Play</a>	<a href="#">PDF</a>	1:24:49
			Revision of Chp10 Direction Test (Self/ One Shot)	<a href="#">Play</a>	<a href="#">PDF</a>	1:01:11
10	13-Aug-25	Wed	IMP MCQs of Chp12 and Chp10 (Live on YT)	<a href="#">coming soon</a>	<a href="#">coming soon</a>	
11	14-Aug-25	Thu	Revision of Chp11 Seating Arrangements (Self/ One Shot)	<a href="#">Play</a>	<a href="#">PDF</a>	1:48:40

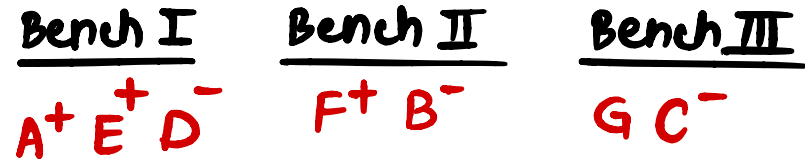
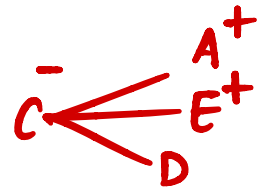
**let's get started.**

# Chp1 1 Seating Arrangements

PYQ – May 2025

(28) In a class, there are seven students (including boys and girls) A, B, C, D, E, F and G. They sit on three benches I, II and III, such that **at least two students on each bench and at least one girl on each bench**. C who is a girl student, does not sit with A, E and D. F the boy student sits with **only B**. A sits on the bench I **with his friends**. G sits on the bench III. E is the brother of C. Which of the following is **the group of girls?**

- a. BCG
- b. BFC
- c.  BCD
- d. CDF



girls DBC

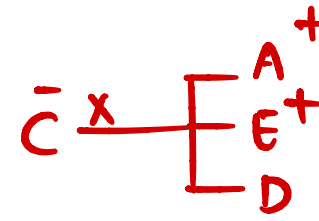


# PYQ May 2025

## PYQ – May 2025

(28) In a class, there are seven students (including boys and girls) A, B, C, D, E, F and G. They sit on three benches I, II and III, such that **at least two students on each bench and at least one girl on each bench**. C who is a girl student, does not sit with A, E and D. F the boy student sits with only B. A sits on the bench I with his friends. G sits on the bench III. E is the brother of C. Which of the following is the group of girls?

- |      |     |    |     |
|------|-----|----|-----|
| a.   | BCG | b. | BFC |
| c. ✓ | BCD | d. | CDF |



F<sup>+</sup> B<sup>-</sup>

Bench I  
A<sup>+</sup> E<sup>+</sup> D<sup>-</sup>

Bench II  
F<sup>+</sup> B<sup>-</sup>

Bench III  
G C<sup>-</sup>

ANAN  
POPAT

# MTP 2 – May 2025

8 — ladies 3 H<sup>-</sup> E<sup>-</sup> G<sup>-</sup>  
 gents 5

## MTP 2 – May 2025

56 i. 8 persons E, F, G, H, J, K and L are seated around a square table two on each side.

58 ii. There are three ladies who are not seated next to each other.

iii. J is between L and F L J F F J L

iv. G is between I and F I G F F G I

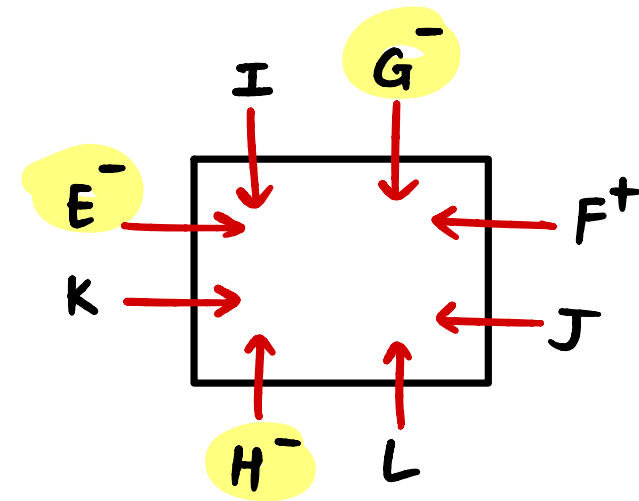
v. H, a lady member second to the left of J H<sup>-</sup> \_ J

vi. F, a male member is seated opposite to E, a lady F<sup>+</sup> ↔ E<sup>-</sup>

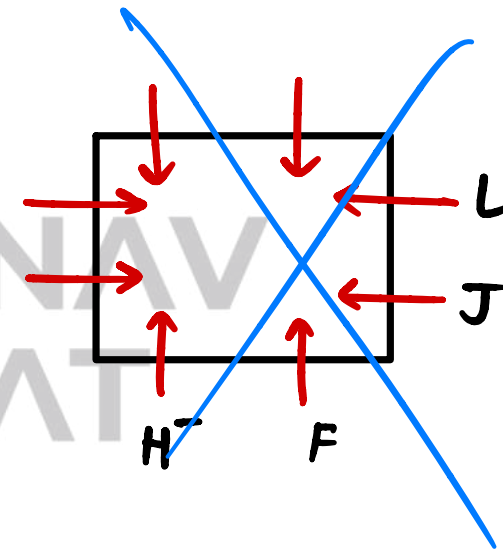
vii. There is a lady member between F and I.

Who among following is to the immediate left of F?

- a. G
- b. I
- c.  J
- d. H



H<sup>-</sup> \_ J



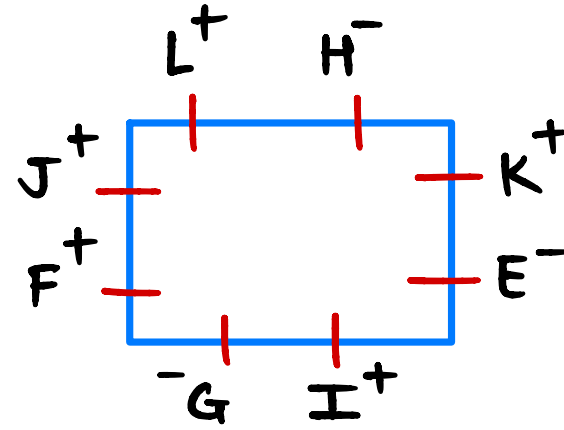
# MTP 2 – May 2025

## MTP 2 – May 2025

- 56 i. 8 persons E, F, G, H, J, K and L are seated to around a square table two on each side.
- 58 ii. There are three ladies who are not seated next to each other.
- iii. J is between L and F
- iv. G is between I and F
- v. H, a lady member second to the left of J
- vi. F, a male member is seated opposite to E, a lady
- vii. There is a lady member between F and I.

Who among following is to the immediate left of F?

- a. G
- b. I
- c. J
- d. H



$LJF^+$        $IGF^+$        $H^- \_ J$   
 $\text{or}$        $\text{or}$   
 $^+FJL$        $^+FGI$        $F^+ \text{ opp to } E^-$

ladies,  $H^- E^- G^-$

CA  
BRANAV  
OPAT

## MTP 2 – May 2025

*How many persons are seated between K and F?*

- a. 1
- b. 2
- c. 3
- d. 4

*Who among the following are three lady members?*

- a. EHJ
- b. EFG
- c. EHG
- d. CHJ

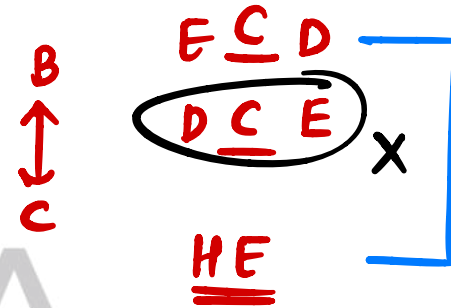
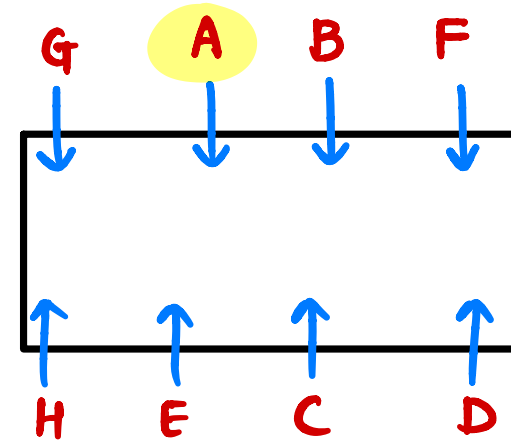


PRANAV  
POPAT

PYQ – Jan 2025

(92) Eight persons A, B, C, D, E, F, G and H are sitting in two rows opposite to each other. Each row has 4 persons. B and C are sitting opposite side. C is sitting in between E and D. H is sitting immediate left of E. F and H are sitting diagonally opposite position. G is sitting extreme right. Who is sitting in front of E?

- a. F
- b. G
- c. B
- d.  A



H E C D



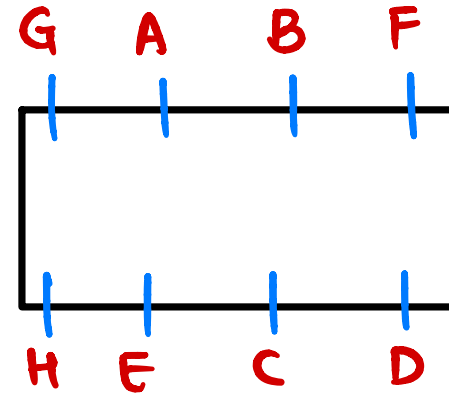
CA  
PRANAV  
POPAT

## PYQ Jan 2025

## PYQ – Jan 2025

(92) Eight persons A, B, C, D, E, F, G and H are sitting in two rows opposite to each other. Each row has 4 persons. B and C are sitting opposite side. C is sitting in between E and D. H is sitting immediate left of E. F and H are sitting diagonally opposite position. G is sitting extreme right. Who is sitting in front of E?

- a. F                      b. G  
c. B                      d.  A



B  
↑  
↕  
↓  
C

ECD      HE  
DCE X      HECD



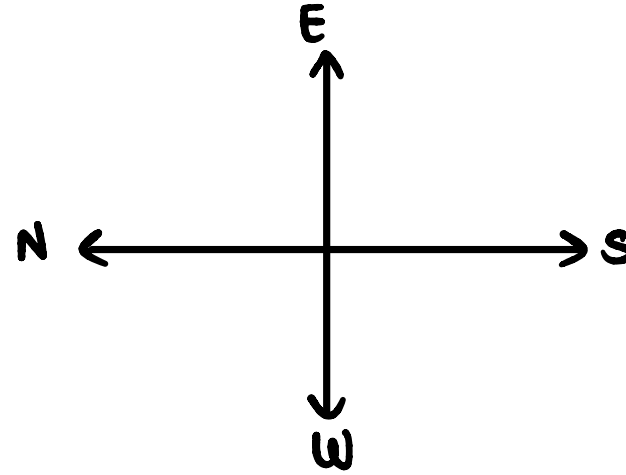
CA  
PRANAV  
POPAT

PYQ Jan 2025

PYQ – Jan 2025

(100) Five friends A, B, C, D, E are sitting in a row facing east. A is sitting between C & D. B is second to the left of C. Who is sitting at the south end?

- a. E
- b. B
- c. C
- ~~d. D~~



Handwritten notes and diagrams for solving the problem:

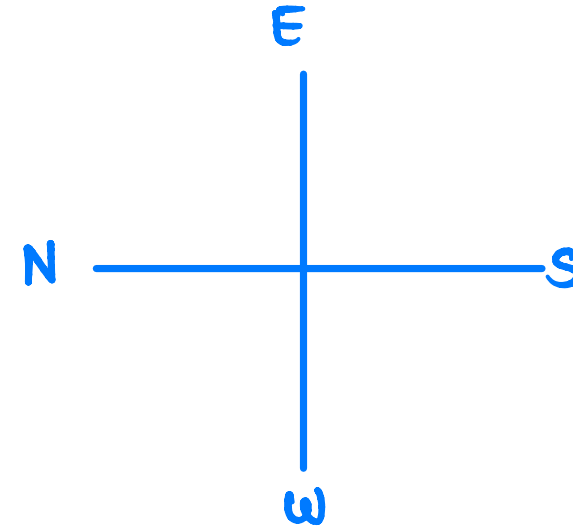
- Diagram 1:  $C \underline{A} D$  (A is between C and D)
- Diagram 2:  $B - C$  (B is to the left of C)
- Diagram 3:  $D \underline{A} C$  (A is between D and C, circled with an arrow pointing right, and an 'X' below it)
- Diagram 4:  $B \underline{E} C A D$  (B is second to the left of C, with E between B and C)
- Text: south end = extreme right = D



PYQ – Jan 2025

(100) Five friends A, B, C, D, E are sitting in a row facing east. A is sitting between C & D. B is second to the left of C. Who is sitting at the south end?

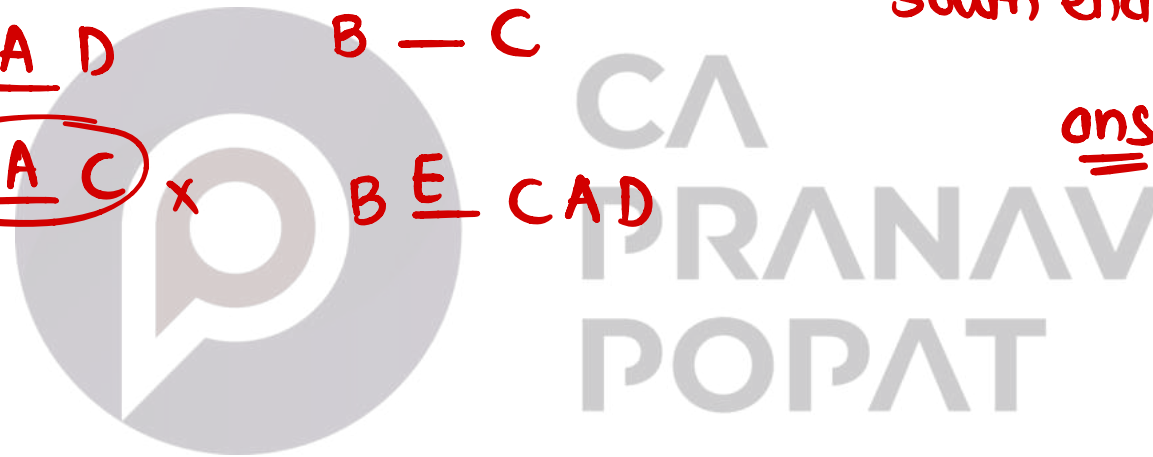
- a. E
- b. B
- c. C
- d.  D



C A D      B — C  
D A C      B E C A D

south end → extreme right

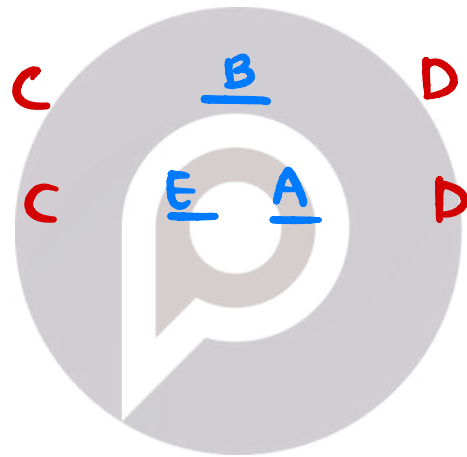
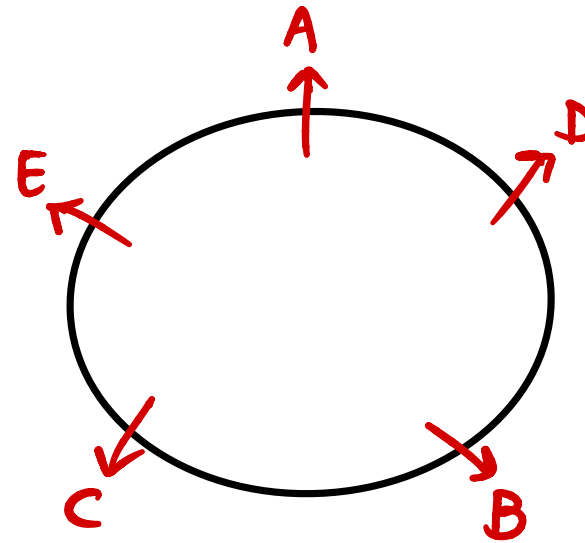
ans D



PYQ – Jan 2025

(99) Five people A, B, C, D, E are seated about a round table facing **outside centre** but not necessarily in the same order. A sits at immediate right of E. C sits third to the left of D, who sits at the immediate right of A. How many persons are sitting between C & D?

- a. ✓ 1
- b. ✓ 2
- c. 3
- d. 4



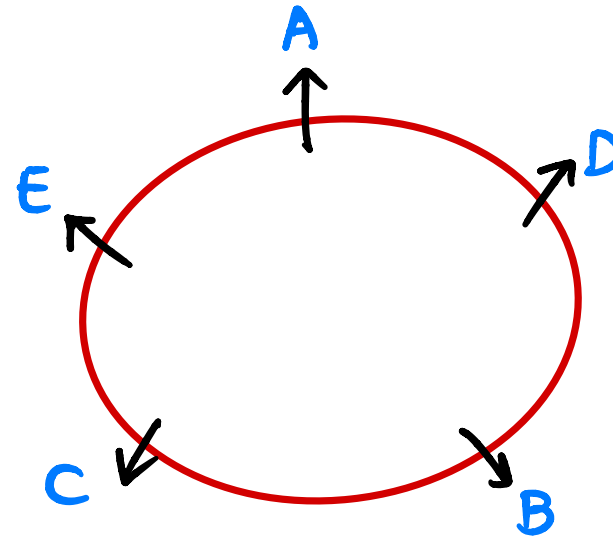
} shortest ans → 1

PRANAV  
POPAT

PYQ – Jan 2025

(99) Five people A, B, C, D, E are seated about a round table facing outside centre but not necessarily in the same order. A sits at immediate right of E. C sits third to the left of D, who sits at the immediate right of A. How many persons are sitting between C & D?

- a. ✓ 1
- b. 2
- c. 3
- d. 4

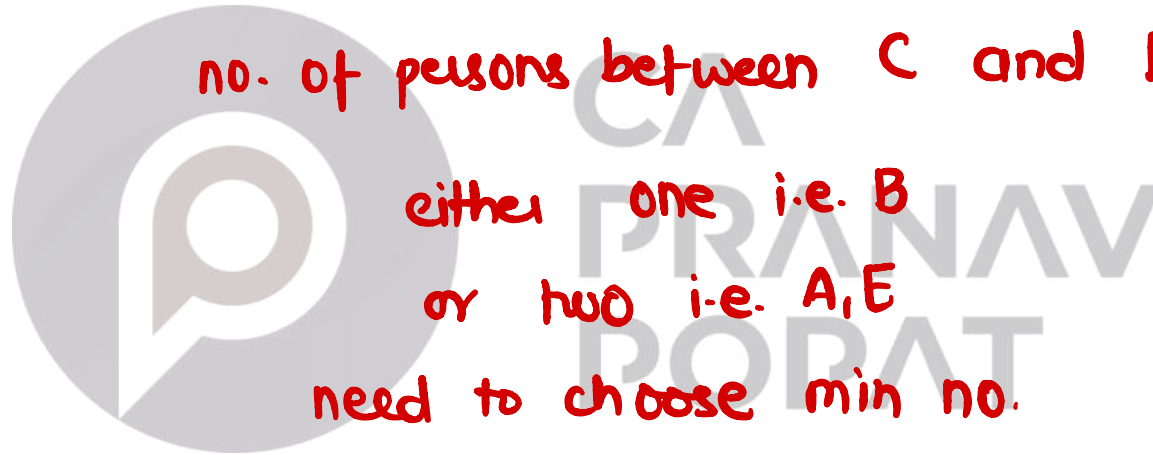


no. of persons between C and D are

either one i.e. B

or two i.e. A, E

need to choose min no.



## PYQ Sep 2024

PYQ Sep 2024

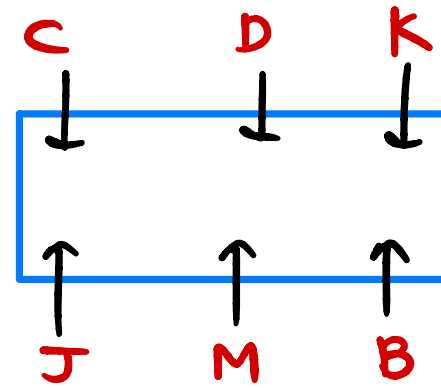
- (81) Six persons B, D, C, M, J and K are split into groups of three each and are made to stand in two rows in such a way that a person in one row is exactly facing a person in the other row. M is not at the ends of any row and is to the right of J, who is facing C. K is to the left of D, who is facing M

Which of the following persons are in the same row?

- a.  BMJ  
 b. BDC  
 c. MJK  
 d. MJD

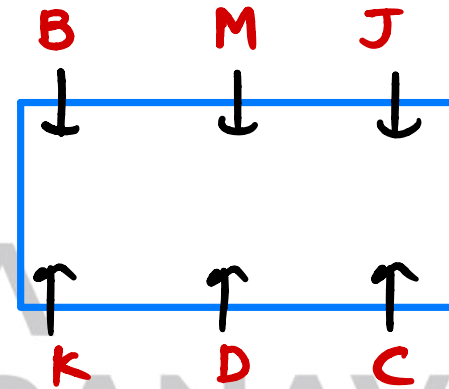
Who is to the immediate left of B?

- a. J  
 b.  M  
 c. D  
 d. K



M is  
middle

JM



MJ

CA  
PRANAV  
POPAT

## PYQ Sep 2024

PYQ Sep 2024

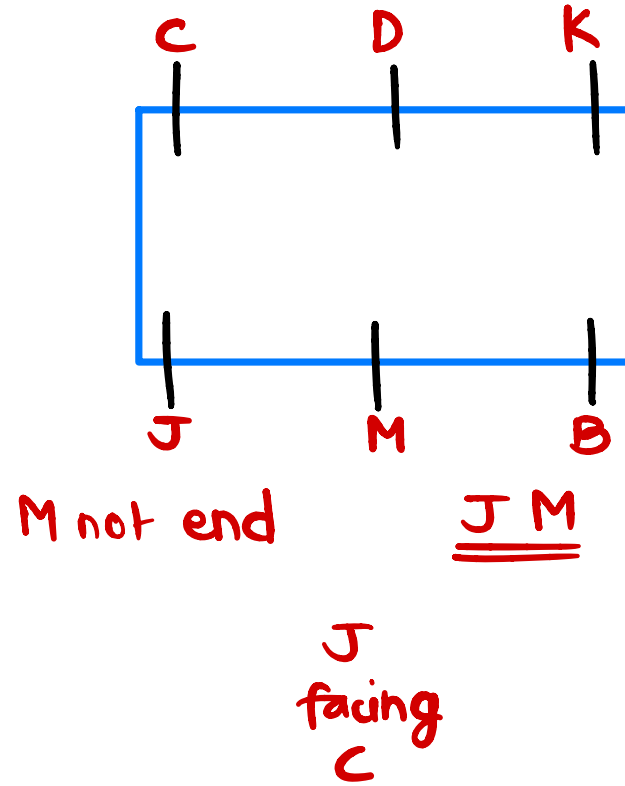
- (81) Six persons B, D, C, M, J and K are split into groups of three each and are made to stand in two rows in such a way that a person in one row is exactly facing a person in the other row. M is not at the ends of any row and is to the right of J, who is facing C. K is to the left of D, who is facing M.

Which of the following persons are in the same row?

- a. ✓ BMJ
- b. BDC
- c. MJK
- d. MJD

Who is to the immediate left of B?

- a. J
- b. ✓ M
- c. D
- d. K



CA  
PRANAV  
POPAT

*PYQ June 24*

*A, B, C, D, E and F are standing in a circle talking, facing inward. E is right to C who is standing 3 places away from D. A is standing 2 seats away from F. Which of the following has to be true?*

- a. A is standing opposite to C*
- b. A is standing next to E*
- c. A is standing next to D*
- d. A is standing next to B*



CA  
PRANAV  
POPAT

*PYQ June 24*

*A, B, C, D, E and F are standing in a circle talking, facing inward. E is right to C who is standing 3 places away from D. A is standing 2 seats away from F. Which of the following has to be true?*

- a. A is standing opposite to C*
- b. A is standing next to E*
- c. A is standing next to D*
- d. A is standing next to B*



**PYQ June 24**

*The persons named U, V, W, X, Y, and Z are sitting along the circumference of a round table. They are facing the center of the round table. Given X is the third left of Z and U is the second right of X, W is third of Y's right. Then V is sitting immediate left to*

- a. Y
- b. U
- c. W
- d. X



CA  
PRANAV  
POPAT

*PYQ June 24*

*The persons named U, V, W, X, Y, and Z are sitting along the circumference of a round table. They are facing the center of the round table. Given X is the third left of Z and U is the second right of X, W is third of Y's right. Then V is sitting immediate left to*

- a. Y*
- b. U*
- c. W*
- d. X*



CA  
PRANAV  
POPAT

**PYQ Dec. 23**

*Five persons are living in a five story building.  
Mr. Mahesh lives in flat above Mr. Ashok Mr.  
Lokesh Lives in a flat below Mr. Gaurav and  
Mr. Rakesh lives in a flat below Mr. Lokesh.  
Who possibly lives in the ground floor.*

- a. Mr. Rakesh                      b. Mr. Lokesh  
c. Mr. Mahesh                     d. Mr. Gaurav*



CA  
PRANAV  
POPAT

**PYQ Dec. 23**

Five persons are living in a five story building.  
Mr. Mahesh lives in flat above Mr. Ashok Mr.  
Lokesh Lives in a flat below Mr. Gaurav and  
Mr. Rakesh lives in a flat below Mr. Lokesh.  
Who possibly lives in the ground floor.

- a. ✓ Mr. Rakesh                      b. Mr. Lokesh  
c. Mr. Mahesh                      d. Mr. Gaurav



CA  
PRANAV  
POPAT

**PYQ Dec. 23**

Nine friends J, K, L, M, N, O, P, Q and R, are sitting in a row. L is to the right of M and is at the third place to the right of N, K is at one end of the row. Q is seated adjacent to both O and P. O is at the third place to the left of K. J is right next to L and the left of O.

**Answer the following questions: (Q. No. 35 and Q. No. 36)**

**PYQ Dec. 23**

Who is immediate left to M?

- |      |      |
|------|------|
| a. N | b. R |
| c. L | d. J |

**PYQ Dec. 23**

Who is sitting at the center of the row?

- |      |      |
|------|------|
| a. I | b. J |
| c. O | d. Q |

CA  
PRANAV  
POPAT



***MTP Dec 2023 Series I***

*Shyam, Sathish, Amar and Pavan are playing cards. Amar is to the right of Sathish, who is to the right of Shyam. Who is to the right of Amar?*

- |                   |                 |
|-------------------|-----------------|
| <i>a. Sathish</i> | <i>b. Amar</i>  |
| <i>c. Pavan</i>   | <i>d. Shyam</i> |



CA  
PRANAV  
POPAT

***MTP Dec 2023 Series I***

*Shyam, Sathish, Amar and Pavan are playing cards. Amar is to the right of Sathish, who is to the right of Shyam. Who is to the right of Amar?*

- |           |               |           |              |
|-----------|---------------|-----------|--------------|
| <i>a.</i> | <i>Satish</i> | <i>b.</i> | <i>Amar</i>  |
| <i>c.</i> | <i>Pavan</i>  | <i>d.</i> | <i>Shyam</i> |



CA  
PRANAV  
POPAT

***MTP Dec 2023 Series I***

*In a line P is sitting 13th from left. Q is sitting 24th from the right and 3rd left from P. How many people are sitting are in the line?*

- a. 34                                      b. 31*  
*c. 32                                      d. 33*



CA  
PRANAV  
POPAT

**MTP Dec 2023 Series I**

In a line P is sitting 13th from left. Q is sitting 24th from the right and 3rd left from P. How many people are sitting are in the line?

- a. 34                                      b. 31  
c. 32                                      **d. 33**



CA  
PRANAV  
POPAT

**PYQ May 18**

*Five children are sitting in a row. S is sitting next to P but not T. K is sitting next to R, who is sitting on the extreme left and T is not sitting next to K. Who is/are adjacent to S.*

- a. K + P                      b. R + P*  
*c. Only P                     d. P and T*



CA  
PRANAV  
POPAT

**PYQ May 18**

Five children are sitting in a row. S is sitting next to P but not T. K is sitting next to R, who is sitting on the extreme left and T is not sitting next to K. Who is/are adjacent to S.

- a. K + P                      b. R + P  
c. Only P                     d.  P and T



CA  
PRANAV  
POPAT

**PYQ June 19**

*Four girls are seated for a photograph. Shikha is to the left of Reena. Manju is to the right of Reena. Reeta is between Reena and Manju. Who is the second left in photograph?*

- |                 |                  |
|-----------------|------------------|
| <i>a. Reena</i> | <i>b. Manju</i>  |
| <i>c. Reeta</i> | <i>d. Shikha</i> |



CA  
PRANAV  
POPAT

**PYQ June 19**

Four girls are seated for a photograph. Shikha is to the left of Reena. Manju is to the right of Reena. Reeta is between Reena and Manju. Who is the second left in photograph?

- a.  Reena                      b.  Manju  
c.  Reeta                        d.  Shikha



CA  
PRANAV  
POPAT

**PYQ Nov. 20**

Five girls G, H, I, J, K are sitting in a row facing South not necessarily in the same order. H is sitting between G and K, I is immediate right to K, J is immediate to the left of G.

- a. J is third to the left of K.
- b. G is second to the left of I
- c. H is to the right of K
- d. H is to the left of G



CA  
PRANAV  
POPAT

**PYQ Nov. 20**

Five girls G, H, I, J, K are sitting in a row facing South not necessarily in the same order. H is sitting between G and K, I is immediate right to K, J is immediate to the left of G.

- a. ✓ J is third to the left of K.
- b. G is second to the left of I
- c. H is to the right of K
- d. H is to the left of G



CA  
PRANAV  
POPAT

**PYQ Dec 22**

*P, Q, R, S and T are sitting in a line facing West. P and Q are sitting together. R is sitting at South end and S is sitting at North end. T is neighbor of Q and R. Who is sitting the middle?*

- |           |          |           |          |
|-----------|----------|-----------|----------|
| <i>a.</i> | <i>P</i> | <i>b.</i> | <i>Q</i> |
| <i>c.</i> | <i>R</i> | <i>d.</i> | <i>S</i> |



CA  
PRANAV  
POPAT

**PYQ Dec 22**

*P, Q, R, S and T are sitting in a line facing West. P and Q are sitting together. R is sitting at South end and S is sitting at North end. T is neighbor of Q and R. Who is sitting the middle?*

- a. P                                      **b. Q**  
c. R                                      d. S



CA  
PRANAV  
POPAT

**MTP Nov 19**

Six friends A, B, C, D, E and F are sitting in row facing East. "C "is between 'A' and 'E'. 'B' is just to the right of 'E but left of D'. 'F' is not right end. How many persons are to the left of E ?

- a. 1    b. 2  
c. 3    d. 4



CA  
PRANAV  
POPAT



**MTP June 22**

*There are 3 females A, B and E and 4 males C, D, F, and G standing in a straight line. No two females are together. B is to right of C, F and D are not together as A is placed between them. G is not near B or E but E and F are together. D is not to the right of B.*

*Who are in the extreme ends?*

- a. G and B                      b. C and F*  
*c. B and D                      d. None of these*



CA  
PRANAV  
POPAT

**MTP June 22**

There are 3 females A, B and E and 4 males C, D, F, and G standing in a straight line. No two females are together. B is to right of C, F and D are not together as A is placed between them. G is not near B or E but E and F are together. D is not to the right of B.

Who are in the extreme ends?

- a. G and B                      b. C and F  
c. B and D                      d. None of these



CA  
PRANAV  
POPAT

**MTP Nov 20**

*Directions to solve*

*(a) P, Q, R, S, T, U, V and W are sitting round the circle and are facing the Centre*

*(b) P is second to the right of T who is the neighbor of R and V.*

*(c) S is not neighbour of P*

*(d) V is neighbour of U*

*(e) Q is not between S and W, W is not between U and S*

*Who is two of the following are not neighbor*

- a. RV*
- b. UV*
- c. RP*
- d. QW*

BRANAV  
OPAT

*MTP Nov 20*

*Directions to solve*

*(a) P, Q, R, S, T, U, V and W are sitting round the circle and are facing the Centre*

*(b) P is second to the right of T who is the neighbor of R and V.*

*(c) S is not neighbour of P*

*(d) V is neighbour of U*

*(e) Q is not between S and W, W is not between U and S*

*Who is two of the following are not neighbor*

- a. ✓ RV*
- b. UV/*
- c. RP*
- d. QW*

BRANAV  
OPAT

# Chp9 Number Series Coding Decoding Odd Man Out

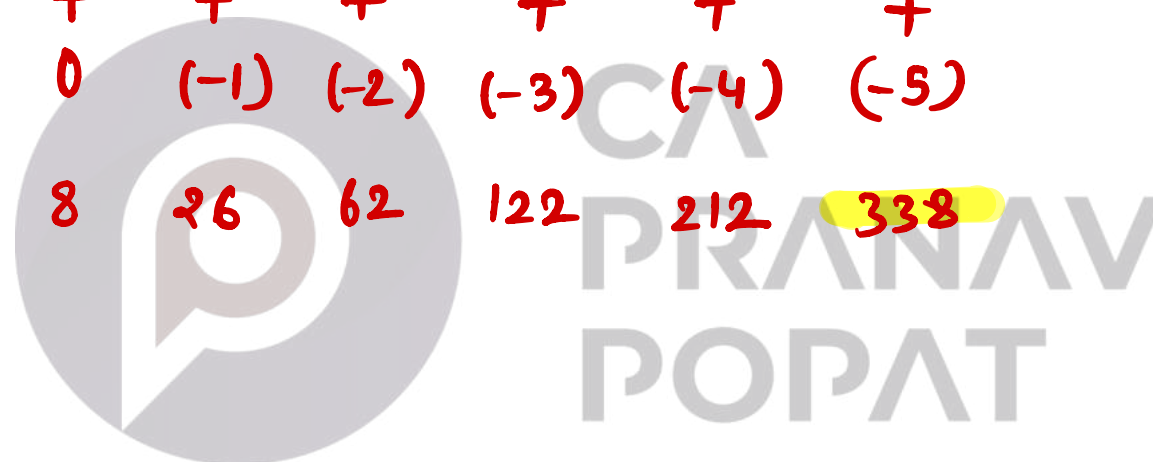
PYQ May 2025

(16) Identify the next number in the following series:

2, 8, 26, 62, 122, 212, —

- a. 332
- b. 338
- c. 366
- d. 362

$$\begin{array}{ccccccc}
 1^3 & 2^3 & 3^3 & 4^3 & 5^3 & 6^3 & 7^3 \\
 + & + & + & + & + & + & + \\
 1 & 0 & (-1) & (-2) & (-3) & (-4) & (-5) \\
 2 & 8 & 26 & 62 & 122 & 212 & 338
 \end{array}$$



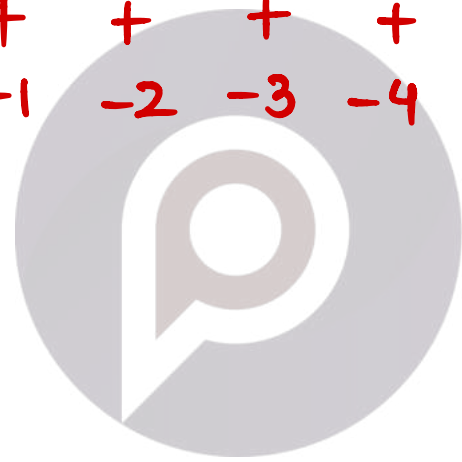
PYQ May 2025

(16) Identify the next number in the following series:

2, 8, 26, 62, 122, 212, —

- a. 332
- b. 338
- c. 366
- d. 362

$$\begin{array}{r}
 1^3 \quad 2^3 \quad 3^3 \quad 4^3 \quad 5^3 \quad 6^3 \quad 7^3 \\
 + \quad + \quad + \quad + \quad + \quad + \quad + \\
 1 \quad 0 \quad -1 \quad -2 \quad -3 \quad -4 \quad -5 \\
 \hline
 338
 \end{array}$$



PRANAV  
POPAT

# PYQ May 2025

## PYQ May 2025

(20) Find the odd man out from the following:

445, 221, 109, 46, 25, 11, 4

- a. 25      ↓      b. ✓ 46  
c. 109      53      d. 221

$$445 \div 2 - 1.5 = 221$$

$$221 \div 2 - 1.5 = 109$$

$$109 \div 2 - 1.5 = 53$$

$$53 \div 2 - 1.5 = 25$$



CA  
PRANAV  
POPAT

# PYQ May 2025

## PYQ May 2025

(20) Find the odd man out from the following:

445, 221, 109, 46, 25, 11, 4

a. 25

b. 46

c. 109

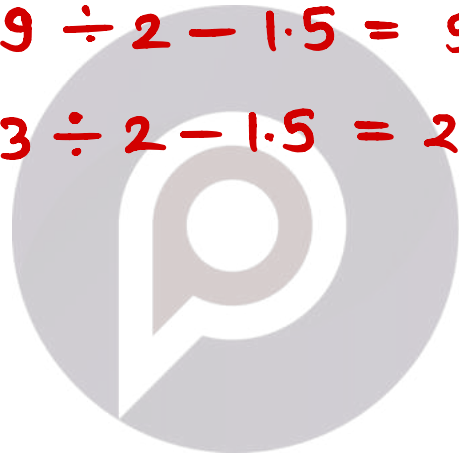
d. 221

$$445 \div 2 - 1.5 = 221$$

$$221 \div 2 - 1.5 = 109$$

$$109 \div 2 - 1.5 = 53$$

$$53 \div 2 - 1.5 = 25$$



CA  
PRANAV  
POPAT

## MTP 2 – May 2025

### *MTP 2 – May 2025*

- (42) *If each of the letters assigned an even numeric value  $A=2$ ,  $B=4$  and so on, what will be the total value of the letters for the word INDIA ?*
- a. 72                                  b. 86*  
*c. 74                                  d. 94*



CA  
PRANAV  
POPAT

## MTP 2 – May 2025

(42) If each of the letters assigned an even numeric value  $A=2$ ,  $B=4$  and so on, what will be the total value of the letters for the word INDIA ?

a. 72

b. 86

c. 74

d. 94

$$I \rightarrow 9 \xrightarrow{\times 2} 18$$

$$N \rightarrow 14 \xrightarrow{\times 2} 28$$

$$D \rightarrow 4 \xrightarrow{\times 2} 8$$

$$I \rightarrow 9 \xrightarrow{\times 2} 18$$

$$A \rightarrow 1 \xrightarrow{\times 2} 2$$

$$\begin{array}{r} 18 \\ 28 \\ 8 \\ 18 \\ 2 \\ \hline 74 \\ = \end{array}$$

CA  
PRANAV  
POPAT

(70) *AZ, GT, MN, ..., YB, EV. The value at blank space will be*

a. SH

b. JH

c. SK

d. TS



CA  
PRANAV  
POPAT

*PYQ Sep 2024*

(70) AZ, GT, MN, ..., YB, EV. The value at blank space will be

- a. ✓ SH
- b. JH
- c. SK
- d. TS

1	2	3	4	5	6	7	8	9	10	11	12	13	14	15	16	17	18	19	20	21	22	23	24	25	26
A	B	C	D	E	F	G	H	I	J	K	L	M	N	O	P	Q	R	S	T	U	V	W	X	Y	Z
26	25	24	23	22	21	20	19	18	17	16	15	14	13	12	11	10	9	8	7	6	5	4	3	2	1

S (19<sup>th</sup> from left)  
 H (19<sup>th</sup> from right)



CA  
 PRANAV  
 POPAT

*MTP 1 – Jan 2025*

(44) If HEALTH is written as GSKZDG, then how will NORTH be written in that code?

- a. OPSUI                      b. GSQNM  
c. FRPML                      d. IUSPO

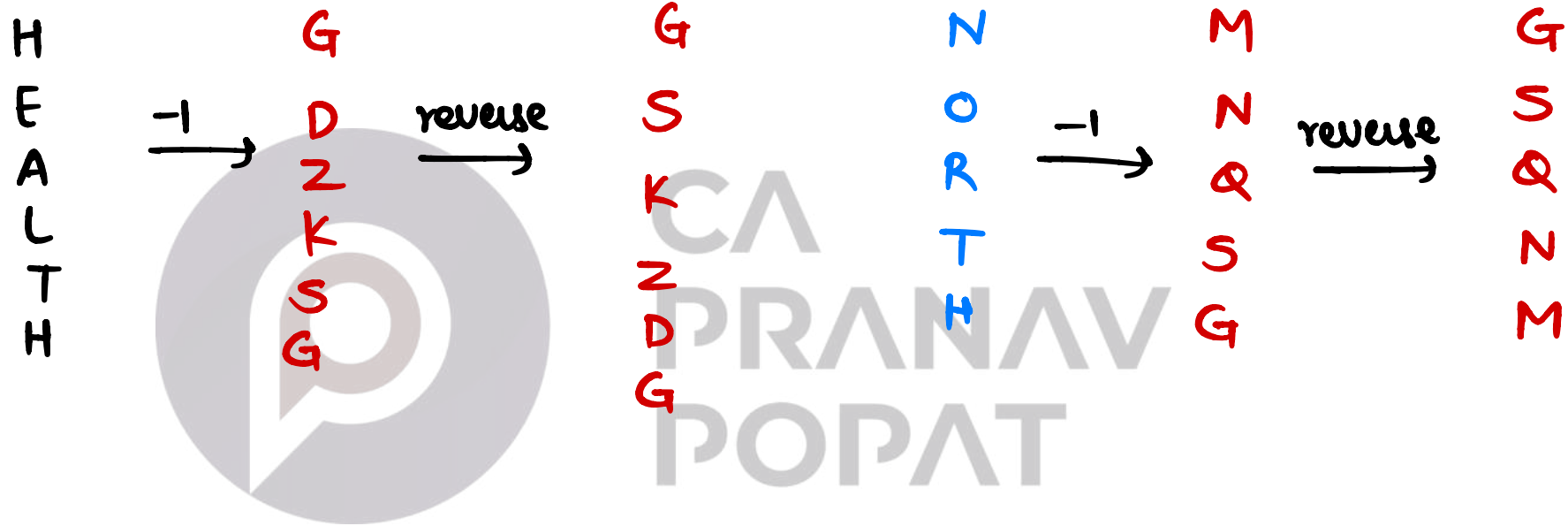


CA  
PRANAV  
POPAT

MTP 1 – Jan 2025

(44) If HEALTH is written as GSKZDG, then how will NORTH be written in that code?

- a. OPSUI
- b.  GSQNM
- c. FRPML
- d. IUSPO



*MTP 1 – Jan 2025*

(45) *If HONEY is coded as JQPGA, which word is coded as VCTIGVU?*

- a. CARPETS                      b. XEVKIXW*  
*c. TARGETS                      d. UMBRELU*



CA  
PRANAV  
POPAT

MTP 1 – Jan 2025

(45) If HONEY is coded as JQPGA, which word is coded as VCTIGVU? → decoding

- a. CARPETS
- b. XEVKIXW
- c. TARGETS
- d. UMBRELU

H  
O  
N  
E  
Y

+2 →

J  
Q  
P  
G  
A



T  
A  
R  
G  
E  
T  
S

+2  
↓  
-2  
←

V  
C  
T  
H  
G  
U  
U

CA  
BRANAV  
POPAT

*MTP 1 – Jan 2025*

**(46)** *Which of the following is odd one*

*a. CEHL*

*b. KMPT*

*c. OQTX*

*d. NPSV*



CA  
PRANAV  
POPAT

(46) Which of the following is odd one

- a. CEHL                      b. KMPT  
c. OQTX                     d. ~~NPSV~~

C  $\xrightarrow{+2}$  E  $\xrightarrow{+3}$  H  $\xrightarrow{+4}$  L

K  $\xrightarrow{+2}$  M  $\xrightarrow{+3}$  P  $\xrightarrow{+4}$  T

O  $\xrightarrow{+2}$  Q  $\xrightarrow{+3}$  T  $\xrightarrow{+4}$  X

N  $\xrightarrow{+2}$  P  $\xrightarrow{+3}$  S  $\xrightarrow{+4}$  W

↓  
✓ in option

## MTP 2 – Jan 2025

### MTP 2 – Jan 2025

(45) In a certain language, FLOWER is coded UOLDVI, then how is TERMINAL coded in that language?

- a. FLKPMROZ      b. GVINRMZO  
c. RVNIGLKA      d. MNIVGYEO

1	2	3	4	5	6	7	8	9	10	11	12	13	14	15	16	17	18	19	20	21	22	23	24	25	26
A	B	C	D	E	F	G	H	I	J	K	L	M	N	O	P	Q	R	S	T	U	V	W	X	Y	Z
26	25	24	23	22	21	20	19	18	17	16	15	14	13	12	11	10	9	8	7	6	5	4	3	2	1



CA  
PRANAV  
POPAT

# MTP 2 – Jan 2025

## MTP 2 – Jan 2025

(45) In a certain language, FLOWER is coded UOLDVI, then how is TERMINAL coded in that language?

- a. FLKPMROZ     **b. GVINRMZO**  
c. RVNIGLKA     d. MNIVGYEO

1	2	3	4	5	6	7	8	9	10	11	12	13	14	15	16	17	18	19	20	21	22	23	24	25	26
A	B	C	D	E	F	G	H	I	J	K	L	M	N	O	P	Q	R	S	T	U	V	W	X	Y	Z
26	25	24	23	22	21	20	19	18	17	16	15	14	13	12	11	10	9	8	7	6	5	4	3	2	1



CA  
PRANAV  
POPAT

*PYQ – Jan 2025*

(82) Find the missing term CEGI, XVTR, GIKM,

\_\_\_\_\_

a. TRPN

b. KMBD

c. AMNL

d. JLNP



CA  
PRANAV  
POPAT

PYQ – Jan 2025

(82) Find the missing term CEGI, XVTR, GIKM,

- a. TRPN                      b. KMBD  
 c. AMNL                      d. JLNP

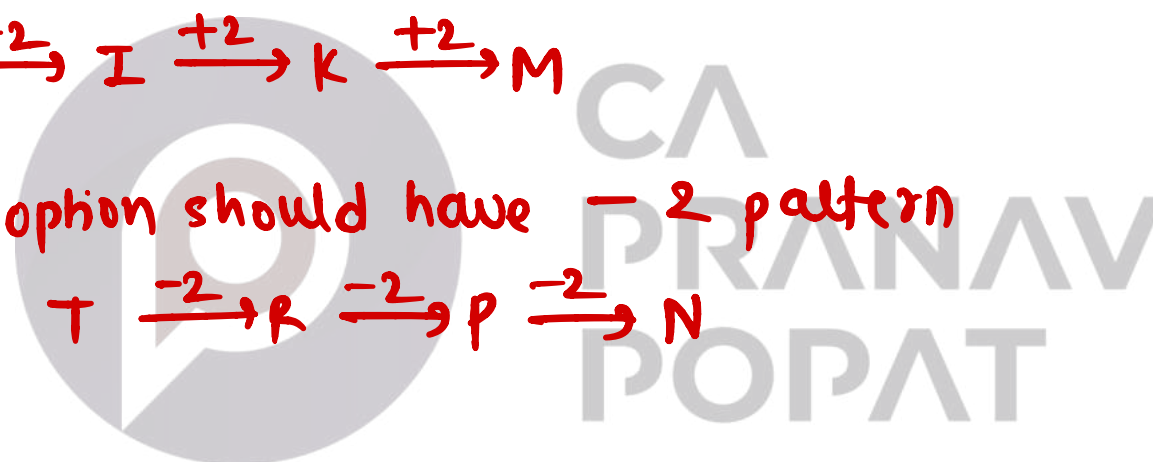
$$C \xrightarrow{+2} E \xrightarrow{+2} G \xrightarrow{+2} I$$

$$X \xrightarrow{-2} V \xrightarrow{-2} T \xrightarrow{-2} R$$

$$G \xrightarrow{+2} I \xrightarrow{+2} K \xrightarrow{+2} M$$

correct option should have -2 pattern

$$a) T \xrightarrow{-2} R \xrightarrow{-2} P \xrightarrow{-2} N$$



*PYQ – Jan 2025*

(91) Find odd man out from the following:

- |             |              |
|-------------|--------------|
| a. Marriage | b. Wedlock   |
| c. Divorce  | d. Matrimony |



CA  
PRANAV  
POPAT

*PYQ – Jan 2025*

(91) Find odd man out from the following:

- |  |              |
|--|--------------|
| a. Marriage                                    | b. Wedlock   |
| <input checked="" type="checkbox"/> c. Divorce | d. Matrimony |



CA  
PRANAV  
POPAT

## MTP Sep 2024 – Series I

43. In a certain code TEACHER is written as VGCEJGT, how is CHILDREN written in that code.
- (a) EJKNEGTP
  - (b) EGKNFITP
  - (c) EJKNFGTO
  - (d) EJKNFTGP



CA  
PRANAV  
POPAT

## MTP Sep 2024 – Series I

43. In a certain code TEACHER is written as VGCEJGT, how is CHILDREN written in that code.
- (a) EJKNEGTP
  - (b) EGKNFITP
  - (c) EJKNFGTO
  - (d)  EJKNFTGP



CA  
PRANAV  
POPAT

## MTP Sep 2024 – Series I

45. Choose the odd numerical pair group
- (a) 34-43
  - (b) 55-62
  - (c) 62-71
  - (d) 83-92



CA  
PRANAV  
POPAT

## MTP Sep 2024 – Series I

45. Choose the odd numerical pair group

(a) 34-43

(b) 55-62

(c) 62-71

(d) 83-92



CA  
PRANAV  
POPAT

## MTP June 2024 Series II

***MTP June 24 Series II***

*If in a certain code '493' means 'Friendship difficult challenge', '961', means, 'Struggle difficult Exam., and '178' means 'Exam believable subject', then which digit is used for 'believable'?*

- a. 7 or 8                                      b. 7 or 9*  
*c. 8    d. 8 or 1*



CA  
PRANAV  
POPAT

# MTP June 2024 Series II

## *MTP June 24 Series II*

*If in a certain code '493' means 'Friendship difficult challenge', '961', means, 'Struggle difficult Exam., and '178' means 'Exam believable subject', then which digit is used for 'believable'?*

- a. 7 or 8                      b. 7 or 9*  
*c. 8                                d. 8 or 1*



CA  
PRANAV  
POPAT

*PYQ Nov. 20*

*Find the missing value in the series 0, 2, 3, 6, 10, 17, 28, ?, 75.*

*a. 58*

*b. 46*

*c. 48*

*d. 54*



CA  
PRANAV  
POPAT

*PYQ Nov. 20*

*Find the missing value in the series 0, 2, 3, 6, 10, 17, 28, ?, 75.*

*a. 58*

*b. 46*

*c. 48*

*d. 54*



CA  
PRANAV  
POPAT

*PYQ Nov. 20*

*Find the next term 1, 5, 21, 57, .....*

- a. 105                      b. 138*  
*c. 121                      d. 101*



CA  
PRANAV  
POPAT

*PYQ Nov. 20*

*Find the next term 1, 5, 21, 57, .....*

- a. 105                      b. 138  
c. ✓ 121                     d. 101



CA  
PRANAV  
POPAT

*PYQ Dec 23*

*Find the missing number*

*2, 3, 8, ?, 3968 (hint: preceding number's square then minus 1)*

*a. 65*

*b. 63*

*c. 70*

*d. 80*



CA  
PRANAV  
POPAT

*PYQ Dec 23*

*Find the missing number*

*2, 3, 8, ?, 3968 (hint: preceding number's square then minus 1)*

*a. 65*

*~~b.~~ 63*

*c. 70*

*d. 80*



CA  
PRANAV  
POPAT

***MTP Dec 2023 Series II***

*If 'sky' is 'star', 'star' is 'cloud', 'cloud' is 'earth', 'earth' is 'tree' and 'tree' is 'book'.  
Then where do the birds fly?*

- a. Cloud                      b. Sky  
c. Star                        d. Data inadequate*



CA  
PRANAV  
POPAT

**MTP Dec 2023 Series II**

If 'sky' is 'star', 'star' is 'cloud', 'cloud' is 'earth', 'earth' is 'tree' and 'tree' is 'book'.  
Then where do the birds fly?

- a. Cloud                      b. Sky  
c.  Star                      d. Data inadequate



CA  
PRANAV  
POPAT

*PYQ Dec 22*

*Find the next number in the given sequence?*

*11, 17, 39, 85, ?, 281, 447*

*a. 133*

*b. 143*

*c. 153*

*d. 163*



CA  
PRANAV  
POPAT

*PYQ Dec 22*

*Find the next number in the given sequence?*

*11, 17, 39, 85, ?, 281, 447*

*a. 133*

*b. 143*

*c. 153*

*~~d. 163~~*



CA  
PRANAV  
POPAT

*PYQ Jan. 21*

*In a certain Code Language BEAT is written as YVZG, then what will be Code for MILD?*

- a. ONRW                      b. NOWR*  
*c. ONWR                      d. NROW*



CA  
PRANAV  
POPAT

**PYQ Jan. 21**

In a certain Code Language BEAT is written as YVZG, then what will be Code for MILD?

- a. ONRW                      b. NOWR  
c. ONWR                      d. ~~NROW~~

1	2	3	4	5	6	7	8	9	10	11	12	13	14	15	16	17	18	19	20	21	22	23	24	25	26
A	B	C	D	E	F	G	H	I	J	K	L	M	N	O	P	Q	R	S	T	U	V	W	X	Y	Z
26	25	24	23	22	21	20	19	18	17	16	15	14	13	12	11	10	9	8	7	6	5	4	3	2	1



CA  
PRANAV  
POPAT

**PYQ Dec 22**

If 'FROZEN' is decoded as 'OFAPSG'. Tick the right option that depicts 'MOLTEN' written in this way?

- a. OFPOMN                      b. OFSMPN  
c. OFUMPN                     d. OFUNPN



CA  
PRANAV  
POPAT

**PYQ Dec 22**

If 'FROZEN' is decoded as 'OFAPSG'. Tick the right option that depicts 'MOLTEN' written in this way?

- a. OFPOMN                      b. OFSMPN  
c.  OFUMPN                      d. OFUNPN



CA  
PRANAV  
POPAT



*MTP March 22*

If  $Z = 52$  and  $ACT = 48$ , then  $BAT$  will be equal to

- a. 39                      b. 41  
c. 44                      ~~d. 46~~



CA  
PRANAV  
POPAT



*PYQ June 19*

Which of the following is odd one 4, 12, 44, 176, 890.....

a. 4

b. 12

c. 44

d. 176



CA  
PRANAV  
POPAT

**PYQ Dec 22**

Find the missing number in the following series?

3, 5, 5, 19, 7, 41, 9, ?, 11, 109

- a. 71                                      b. 61  
c. 69                                      d. 79



CA  
PRANAV  
POPAT

**PYQ Dec 22**

Find the missing number in the following series?

3, 5, 5, 19, 7, 41, 9, ?, 11, 109

- a.  71                      b.  61  
c.  69                      d.  79



CA  
PRANAV  
POPAT

*PYQ Jun 23*

*Find the next number in the series: Q1F, S2E,  
U6D, W21C,.....?*

- |           |             |           |             |
|-----------|-------------|-----------|-------------|
| <i>a.</i> | <i>Y66B</i> | <i>b.</i> | <i>Y44B</i> |
| <i>c.</i> | <i>Y88B</i> | <i>d.</i> | <i>Z66B</i> |



CA  
PRANAV  
POPAT

*PYQ Jun 23*

*Find the next number in the series: Q1F, S2E,  
U6D, W21C,.....?*

- a. Y66B                      b. Y44B  
c.  Y88B                      d. Z66B



CA  
PRANAV  
POPAT

***MTP Dec 22 – Series I***

*Find the missing term in each of the following series: 6, 13, 25, 51, 101.*

- a. 201                      b. 202*  
*c. 203                      d. 205*



CA  
PRANAV  
POPAT

***MTP Dec 22 – Series I***

*Find the missing term in each of the following series: 6, 13, 25, 51, 101.*

- a. 201                      b. 202  
c. ✓ 203                      d. 205



CA  
PRANAV  
POPAT

**MTP June 2023 Series II**

Find next term of the series 10, 69, 236, 595, ?

- a. 1254                      b. 1020  
c. 1320                      d. 1200

:  $3^2 + 1, 8^2 + 5, 15^2 + 11, 24^2 + 19, 35^2 + 29$



CA  
PRANAV  
POPAT

**MTP June 2023 Series II**

Find next term of the series 10, 69, 236, 595, ?

a. ✓ 1254

b. 1020

c. 1320

d. 1200

:  $3^2 + 1, 8^2 + 5, 15^2 + 11, 24^2 + 19, 35^2 + 29$



CA  
PRANAV  
POPAT

**MTP June 2023 Series II**

*In a certain code language if CAMP is written as 9, then in the same code how will the word TEAM be written?*

- a. 14                                      b. 19*  
*c. 27                                        d. 33*

*: Sum of letter position then product of digits*



CA  
PRANAV  
POPAT

**MTP June 2023 Series II**

*In a certain code language if CAMP is written as 9, then in the same code how will the word TEAM be written?*

- a. 14                                      b. 19*  
*c. 27                                        d. 33*

*: Sum of letter position then product of digits*



CA  
PRANAV  
POPAT

**PYQ Jun 23**

Find the odd man out in the following series: 190, 145, 136, 352, 460, 324, 631, 244.

- a. 136                                      b. 244  
c. 460                                      d. 324



CA  
PRANAV  
POPAT

**PYQ Jun 23**

Find the odd man out in the following series: 190, 145, 136, 352, 460, 324, 631, 244.

- a. 136                                      b. 244  
c. 460                                      d. ~~324~~



CA  
PRANAV  
POPAT